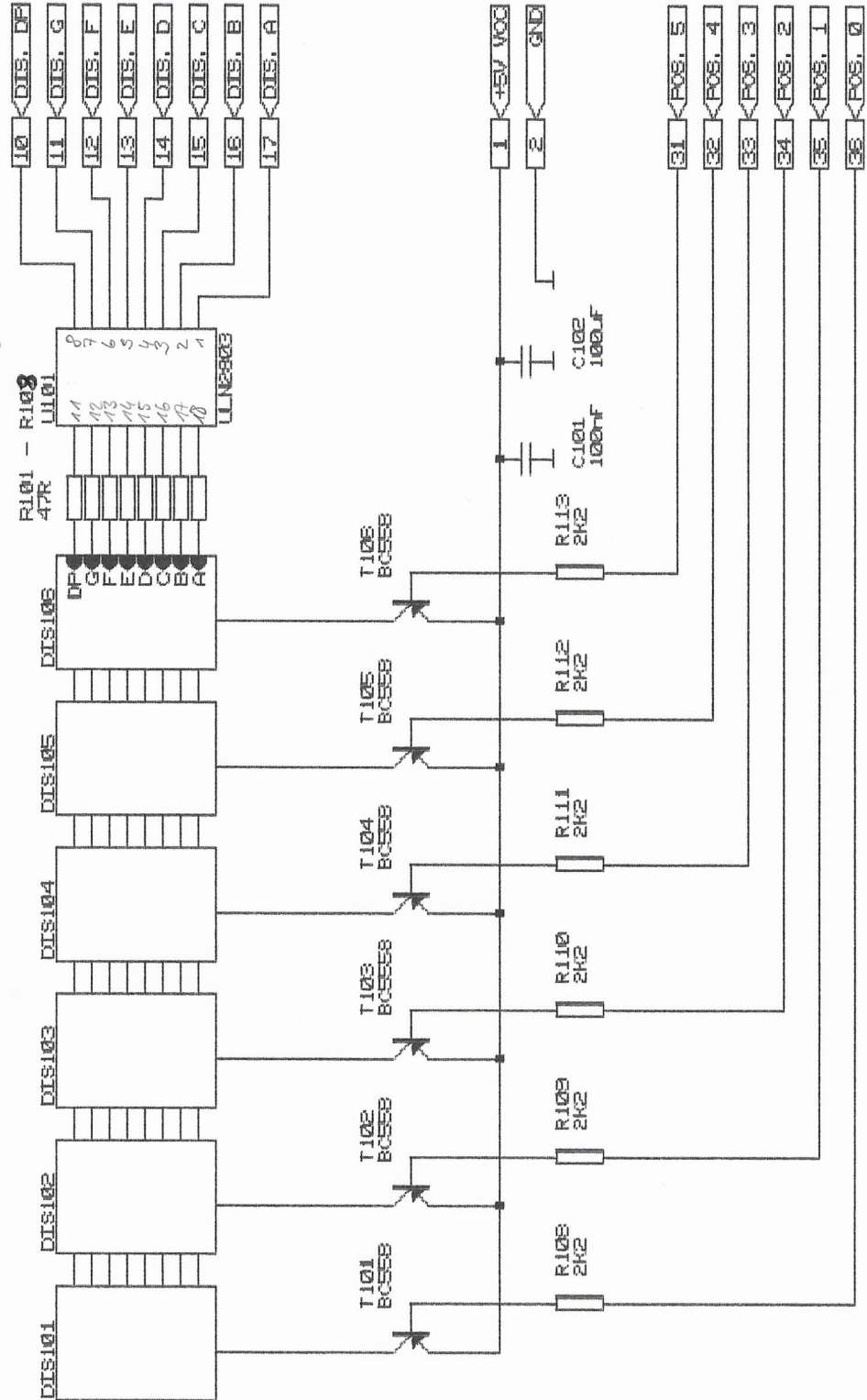


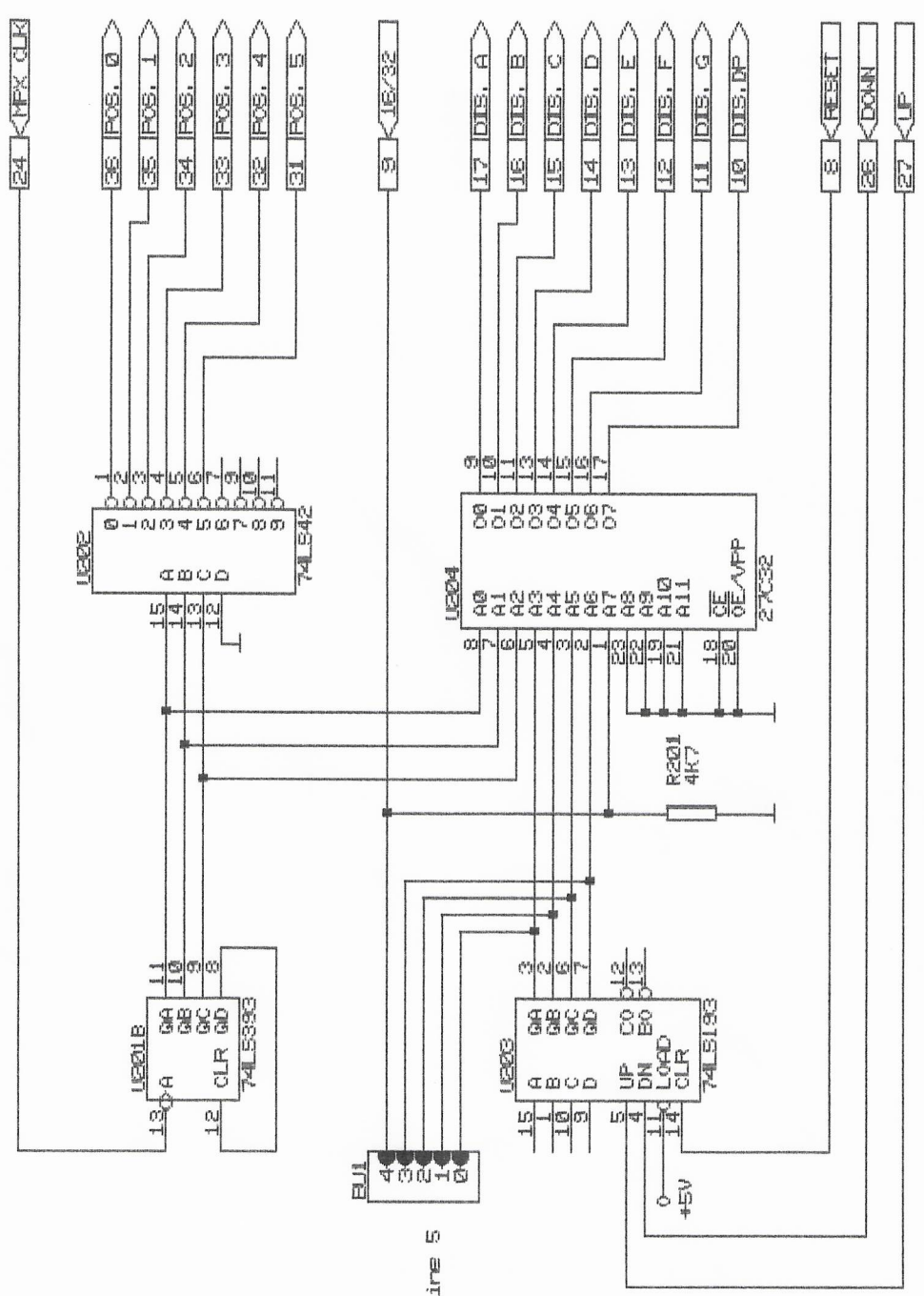
+5V 1
10 8



UL101:

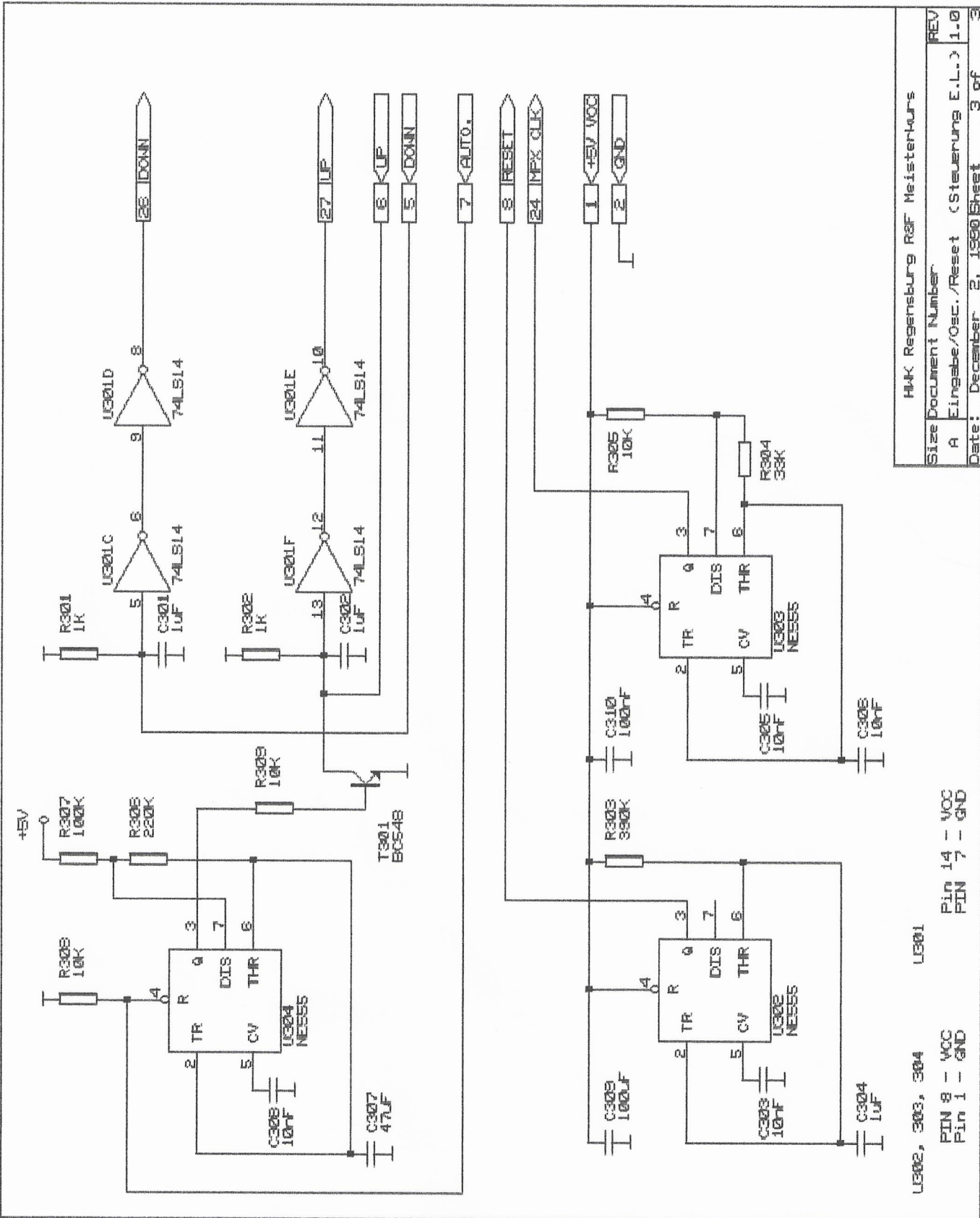
PIN 18 - VCC
PIN 9 - GND

HMK Regensburg R&F Meisterkurs	
Size	Document Number
A	Display (Steuerung E.L.)
Date:	October 6, 1990 Sheet 1 of 3
REV	1.0



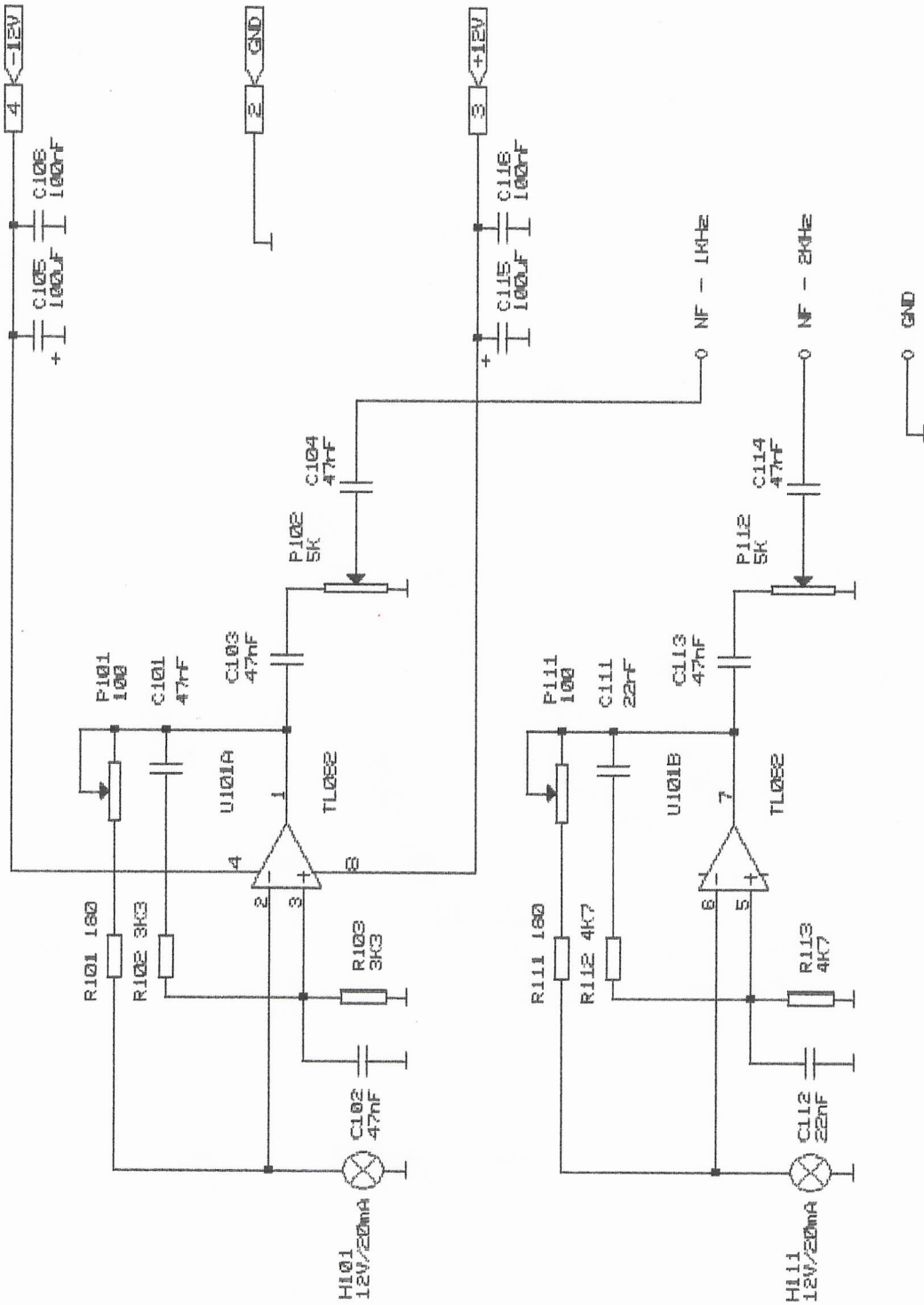
LE01: PIN 14 - VCC PIN 7 - GND
 LE04: PIN 24 - VCC PIN 12 - GND
 LE02, 203: PIN 16 - VCC PIN 8 - GND

HMK Regensburg R&F Meisterkurs	
Size	Document Number
A	Speicher/Steuerung (E.L.)
Date:	October 31, 1990
Sheet	2 of 3
REV	1.0



HMK Regensburg R3F Meisterkurs		
Size	Document Number	REV
A	Eingabe/Osc./Reset (Steuerung E.L.)	1.0
Date:	December 2, 1990	Sheet 3 of 3

U302, 303, 304 U301
 Pin 8 - VCC Pin 14 - VCC
 Pin 1 - GND Pin 7 - GND



HMK Regensburg R&F Meisterkurs	
Size	Document Number
A	Tongenerator (E.L.)
Date:	October 31, 1990
Sheet	1 of 1
REV	1.0